

seal

general notes

1. Any conflicts in the drawings or between new and existing construction shall be referred to the Architect.
2. Contractor shall verify all dimensions and existing conditions in the field and shall advise Fukui Architects, Pc of any discrepancies between, additions to, deletions from, or alterations to any and all conditions prior to proceeding with any phase of work. **Do not scale drawings.**
3. All work shall be installed in accordance with applicable codes and regulations.
4. Contractor shall be responsible for the patching, repairing, and preparations of all existing floor, wall, and ceiling surfaces as required to receive scheduled finishes.
5. All items shown on drawings are finished construction assemblies. Contractor shall provide and install all material required for finished assemblies.
6. All reports, plans, specifications, computer files, field data, notices, and other documents and instruments prepared by the Architect as instruments of service shall remain the property of the Architect. The Architect shall retain all common law statutory, and other reserved rights, including the copyright thereto.

revisions

ISSUED FOR PERMIT: 05.06.2022

project title

Owner:

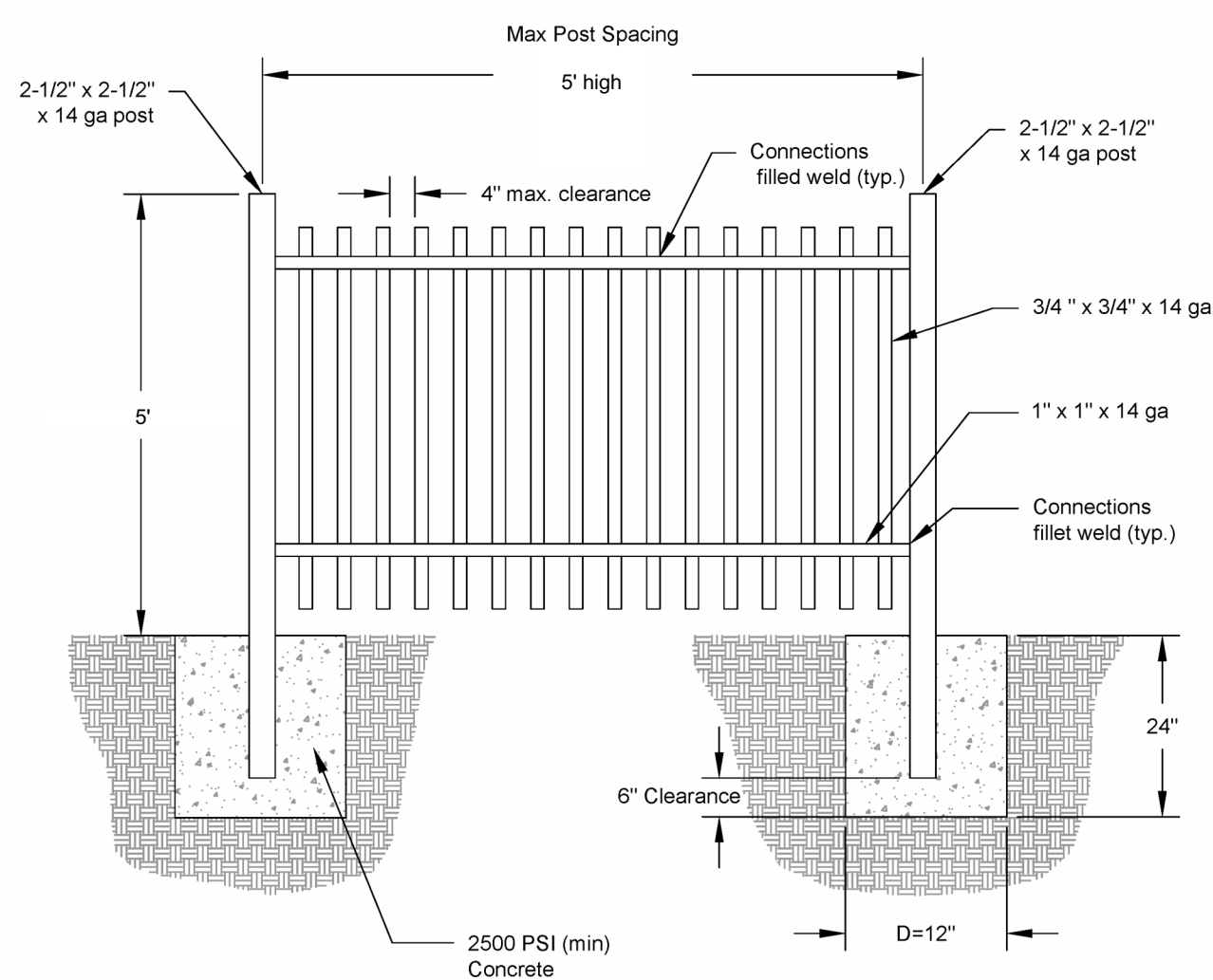
HACP
200 ROSS STREET
PITTSBURGH, PA 15219

Project Location:

MANCHESTER SCATTERED SITES
1134 SHEFFIELD STREET
PITTSBURGH, PENNSYLVANIA
15233

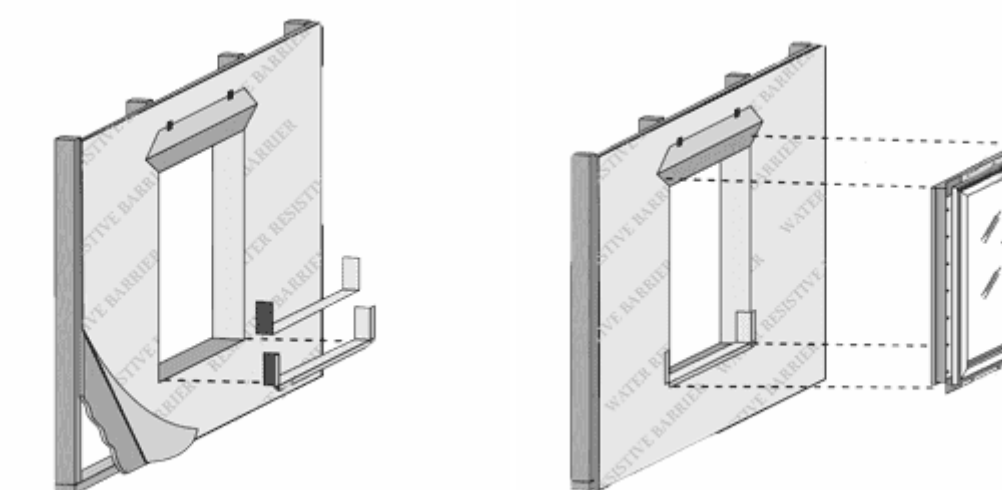
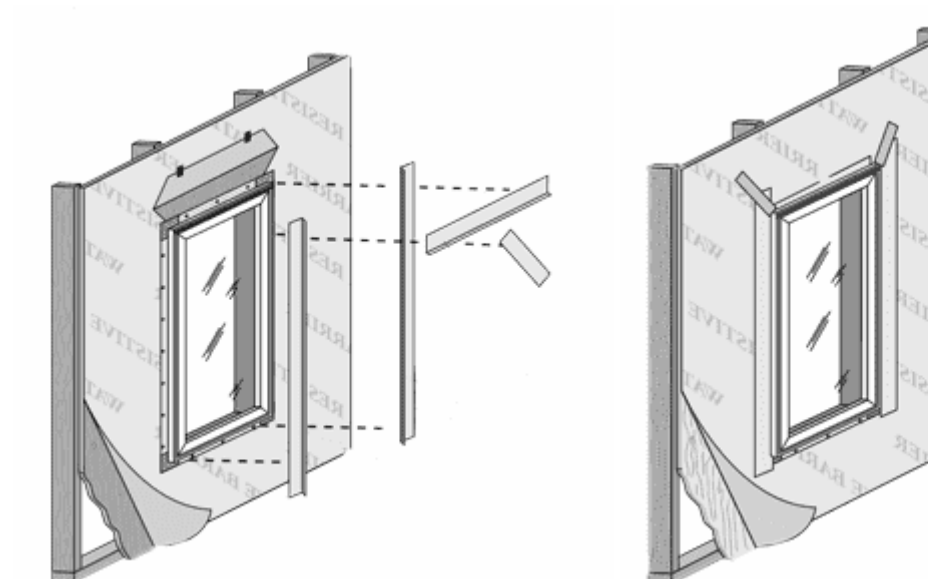
drawing title

METAL FENCE DETAIL,
EXTERIOR DOOR THRESHOLD,
WINDOW INSTALLATION UNDER VINYL SIDING



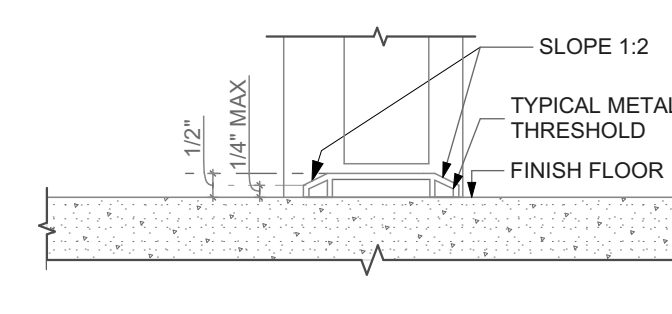
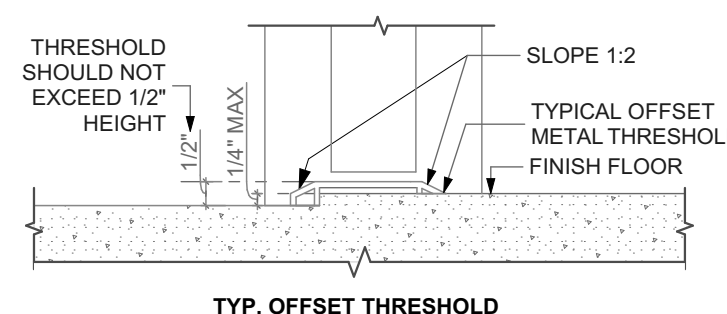
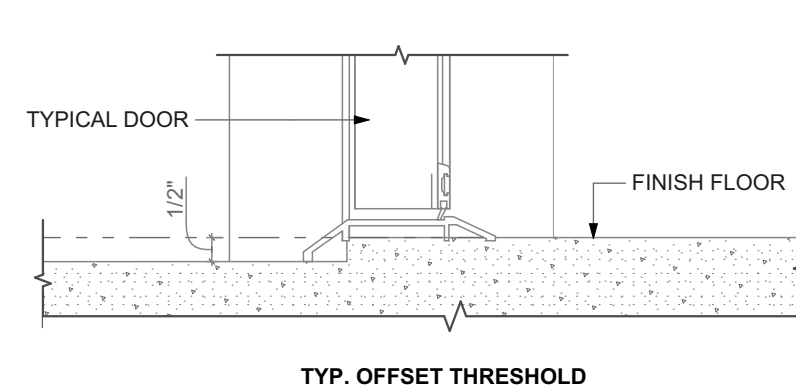
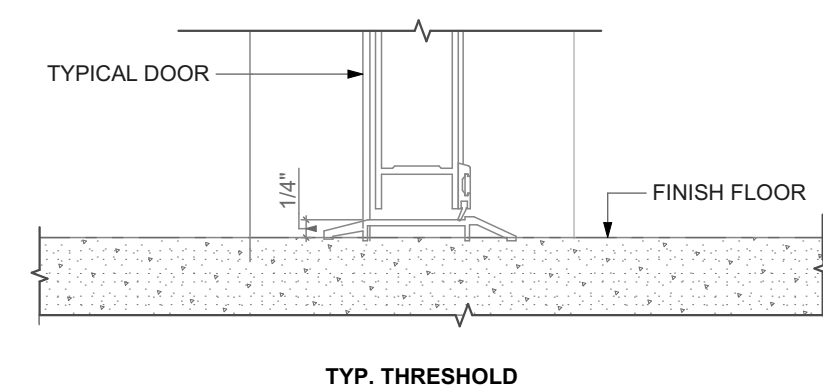
1 METAL FENCE DETAIL

SCALE: 1/2" = 1'-0"



3 WINDOW INSTALLATION UNDER VINYL SIDING

NOT TO SCALE



2 EXTERIOR DOOR THRESHOLD

SCALE: 3/8" = 1'-0"

scale As Noted

date May 6, 2022

no. 15 of 16

15 16

Sheet No.

A14

Project #2006