



Housing Authority of the City of Pittsburgh

Contracting Officer
100 Ross Street
2nd Floor Suite 200
Pittsburgh, PA 15219
(412) 456-5116
Fax: (412) 456-5007
www.hacp.org

August 23, 2012

Elevator Upgrades at Northview IFB#600-31-12

ADDENDUM NO.3

This addendum issued August 23, 2012 becomes in its entirety a part of the Invitation for Bids IFB600-31-12 as is fully set forth herein:

Item 1: Q: Page 14220-11 Section B states: "NEW – Firefighters' Services: Provide equipment and operation in accordance with Code requirements. Equipment shall interface directly with new fire alarm system being installed as part of the Northview High-rise Upgrade project." To confirm, the "new fire alarm system" that is referenced is NOT part of our bid submission, correct?

A: The "new fire alarm system" is being installed as part of another contract and is NOT part of the scope of this project.

Item 2: Q: Page 14220-17 Section 2.7G: "Finish of Frames and Doors: Provide final painting requirements to General Contractor where factory prime finish is specified." Are we required to paint the frames and/or doors?

A: Yes

Item 3: Q: Page 14220-21 Section 2.10A: "NEW – Pushbuttons: "Provide one (1) riser with flush mounted faceplates." Can code blue be incorporated in the hall button instead of door frames?

A: Yes

Item 4: Q: Are we to provide only the card reader in both cars, not the complete card reader system, correct?

A: Provide all components to interface with the existing HACP system (Kerri system) in the building.

Item 5: Q: Section 2.12A2 - Is there a "Lift Net" system currently tied into the elevator for interface? Or do we need to provide the entire system?

A: Provide complete "Lift Net" monitoring system for elevators to interface with existing HACP system, which is "Lift Net" compatible. Include all updates to existing HACP system to accommodate the addition of the Northview elevators to the "Lift Net" system.

Item 6: Q: Are only the vendors listed as approved contractors, listed in the specs, on page 14220-2 section 1.4 A, able to bid on this project? If so, how does a firm become an approved vendor? Can a firm just be added to the approved vendors list?

A: Delete the existing paragraph 1.4 and replace it in entirety with the following:

"1.4 QUALITY ASSURANCE

A. Approved Contractors:

1. Geared Elevators: KONE, Otis, Schindler, ThyssenKrupp, Marshall, or approved equal.
2. Car Enclosure: Eklund's Inc., Gunderlin, Ltd., Hauenstein & Burmeister, KONE, Otis, Schindler, ThyssenKrupp, Tyler, or approved equal.
3. Hoistway Entrance: Hauenstein & Burmeister, KONE, Otis, Schindler, ThyssenKrupp, Tyler, or approved equal."

Item 7: Utilize the attached sketches, SKE1 and SKE2 for the installation and support of the exterior portion of the split-system HVAC equipment on the existing rooftop.

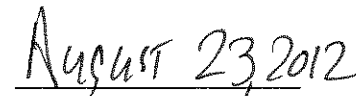
Item 8: Pre-bid Sign-in Sheets are included as attachment B to this addendum.

Item 8: The proposal due date, time and location, remain unchanged at Thursday, August 30, 2012 at 11:00 AM at the HACP Procurement Dept., 100 Ross St. 2nd Floor, Suite 200, Pittsburgh, PA 15219.

END OF ADDENDUM NO. 3

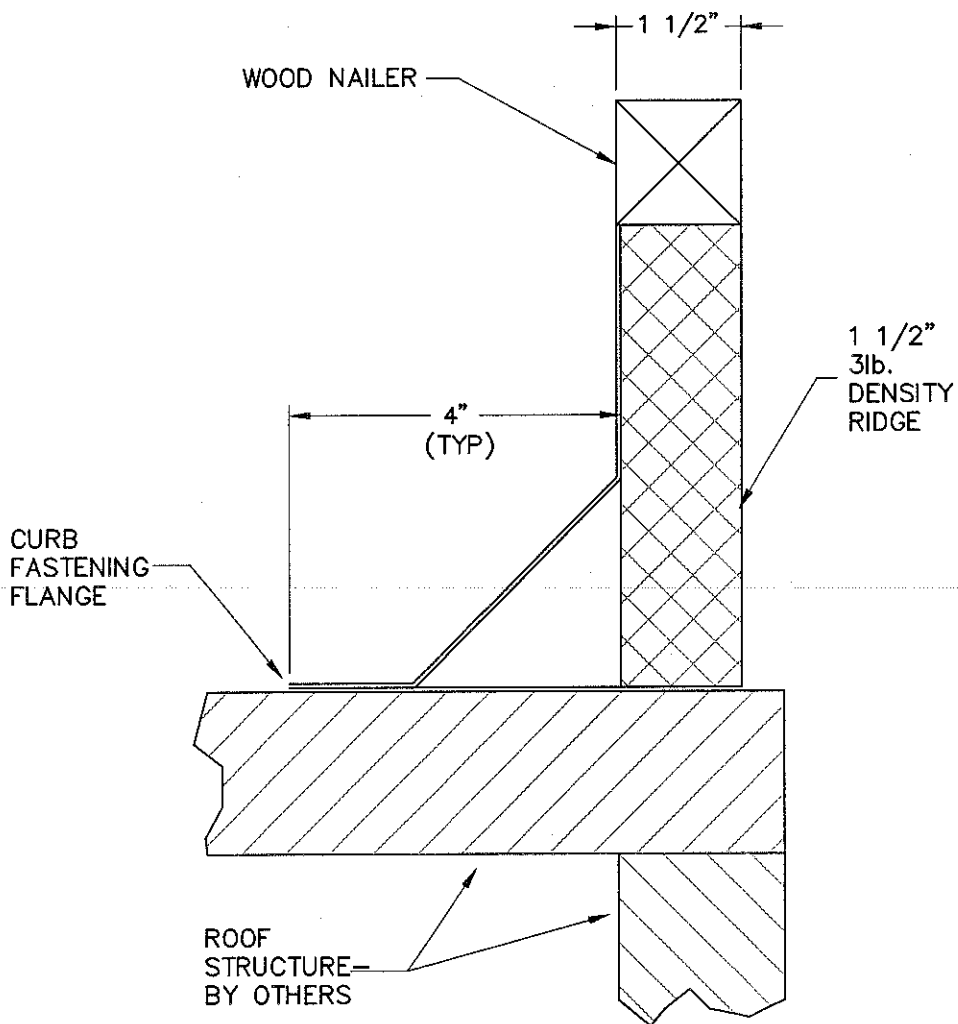


Mr. Kim Detrick
Contract Manager



Date

Attachment A
Sketches, SKE1 and SKE2
IFB600-31-12



ROOF CURB DETAIL
NTS



D & D ENGINEERING, INC.
CONSULTING ELECTRICAL ENGINEERS
ETNA TECHNICAL CENTER, SUITE 205
35 WILSON STREET, PITTSBURGH, PA 15223
TEL: 412.784.1560 FAX: 412.784.1561
info@ddengr.com www.ddengr.com

UPGRADING ELEVATORS
AT
NORTHVIEW HIGHRISE

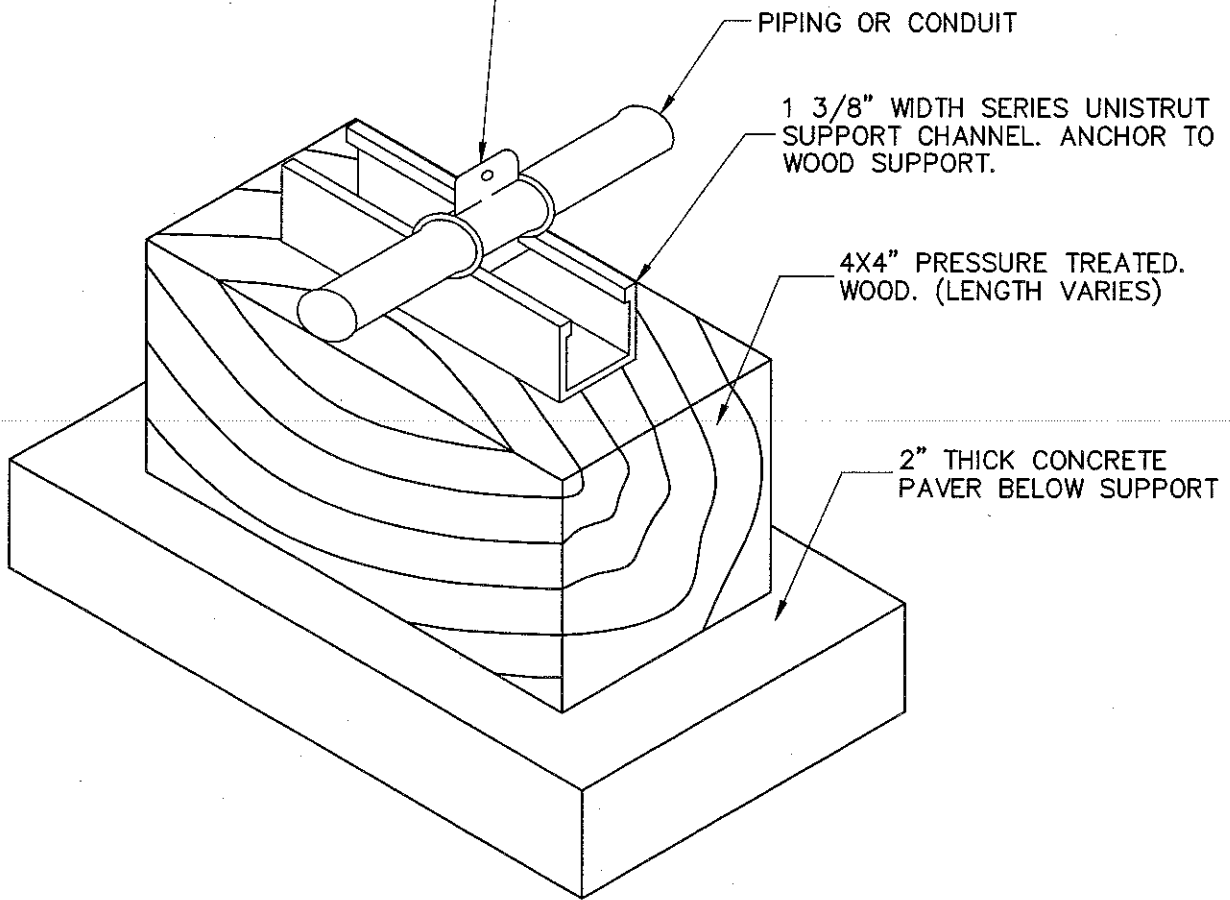
DRAWING TITLE:
HVAC ROOF TOP
CURB DETAIL

DRAWN BY: JGN
CHECKED BY: VAD
DATE: 08/22/2012
SCALE: N.T.S.


DRAWING NO.

SKE1

UNITSTRUT P2500 PIPE CLAMP WITH
CUSHION BETWEEN PIPING AND CLAMP.
SIZE TO MATCH PIPE SIZE.



PIPE SUPPORT DETAIL
NTS

 D & D ENGINEERING, INC. CONSULTING ELECTRICAL ENGINEERS ETNA TECHNICAL CENTER, SUITE 205 35 WILSON STREET, PITTSBURGH, PA 15223 TEL: 412.784.1560 FAX: 412.784.1561 info@ddengr.com www.ddengr.com	UPGRADING ELEVATORS AT NORTHVIEW HIGHRISE	DRAWN BY: JGN CHECKED BY: VAD DATE: 08/22/2012 SCALE: N.T.S.
	DRAWING TITLE: HVAC ROOF TOP PIPE SUPPORT DETAIL	DRAWING NO. SKE2

Attachment B
Pre-Bid Sign in Sheet
IFB600-31-12

Pre Bid Sign In Sheet 8/16/12

Jeri Lee = NBCEP 412-456-5020 X 6006

Virginia Dailey	D&D Engineering	412-784-1560
Charles B. Porter	Hill Int, Inc	412-595-8804
Bernie Medzek	" "	412 595 8807
DAVID CURTIS	" "	267 567 2142
Jon Weavers	Marshall Elevator	412-728-5509
Jim Buechel	Marshall Elev.	412 670-7503
Bud Wilson	Industrial/Commercial Elev.	412 257-0124
Michael Reynolds	Little Washington Elev.	704 206 9301
Don Smith	Don Smith Electrical	412-818-4197
Stephanie Louder	HACP	412-237-0804
CHRIS PAPPALARDI	HACP	412 812-5576
Kim Detrick	HACP	412 456-5116 #4